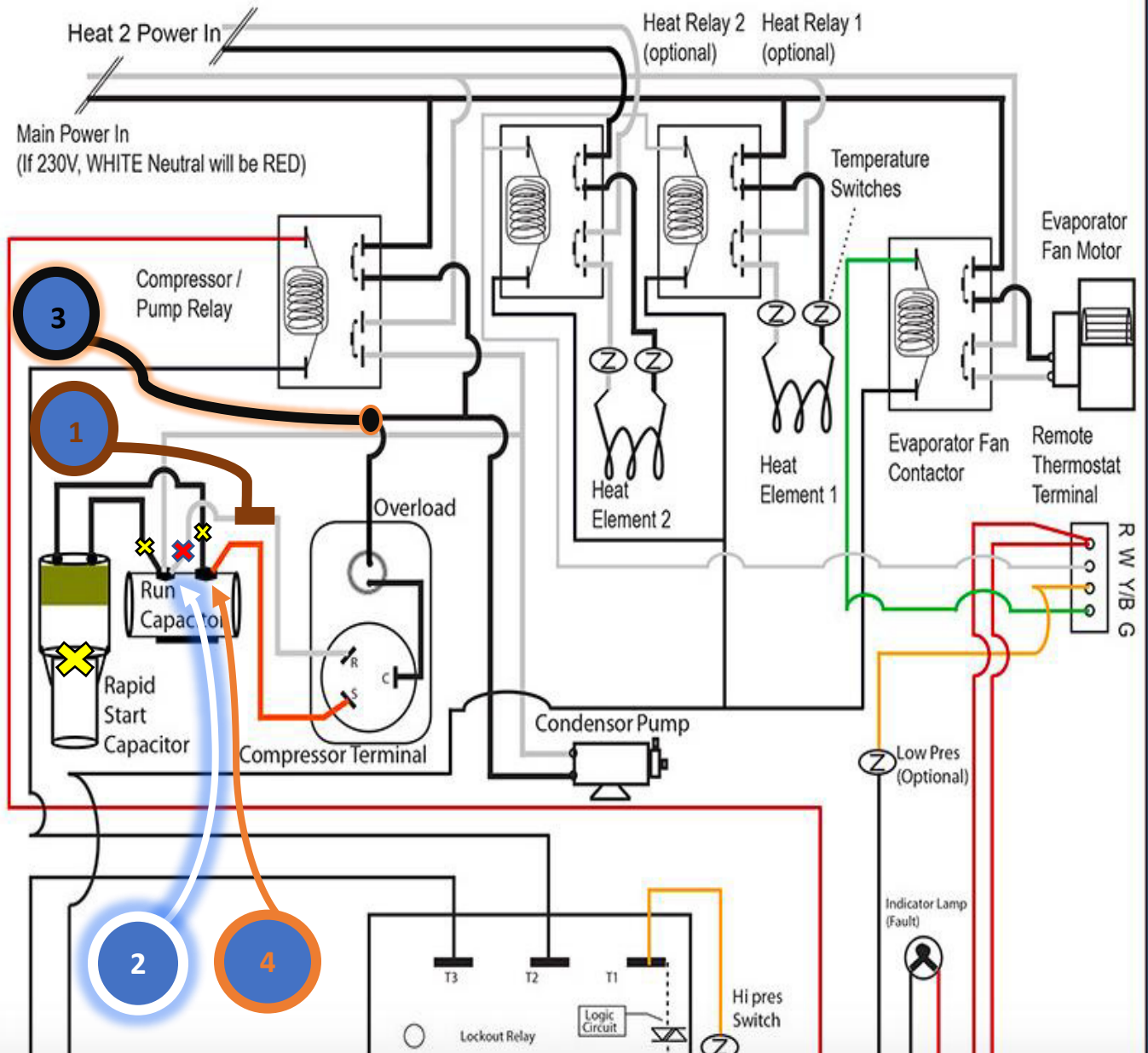


Ocean Breeze Self Contained Water Cooled AC unit with optional 2 Stage Heat



NOTE: First remove the rapid start capacitor & wires

1) Remove the compressor run (R) wire & splice into the Easy Start Brown wire

2) Where you just removed the wire in the previous step, connect the Easy Start White wire

3) Cut the compressor common (C) wire where you have the most room & make a 3-way splice with the Easy Start Black wire

4) Connect the Easy Start Orange wire with the run capacitor compressor start (S) orange wire