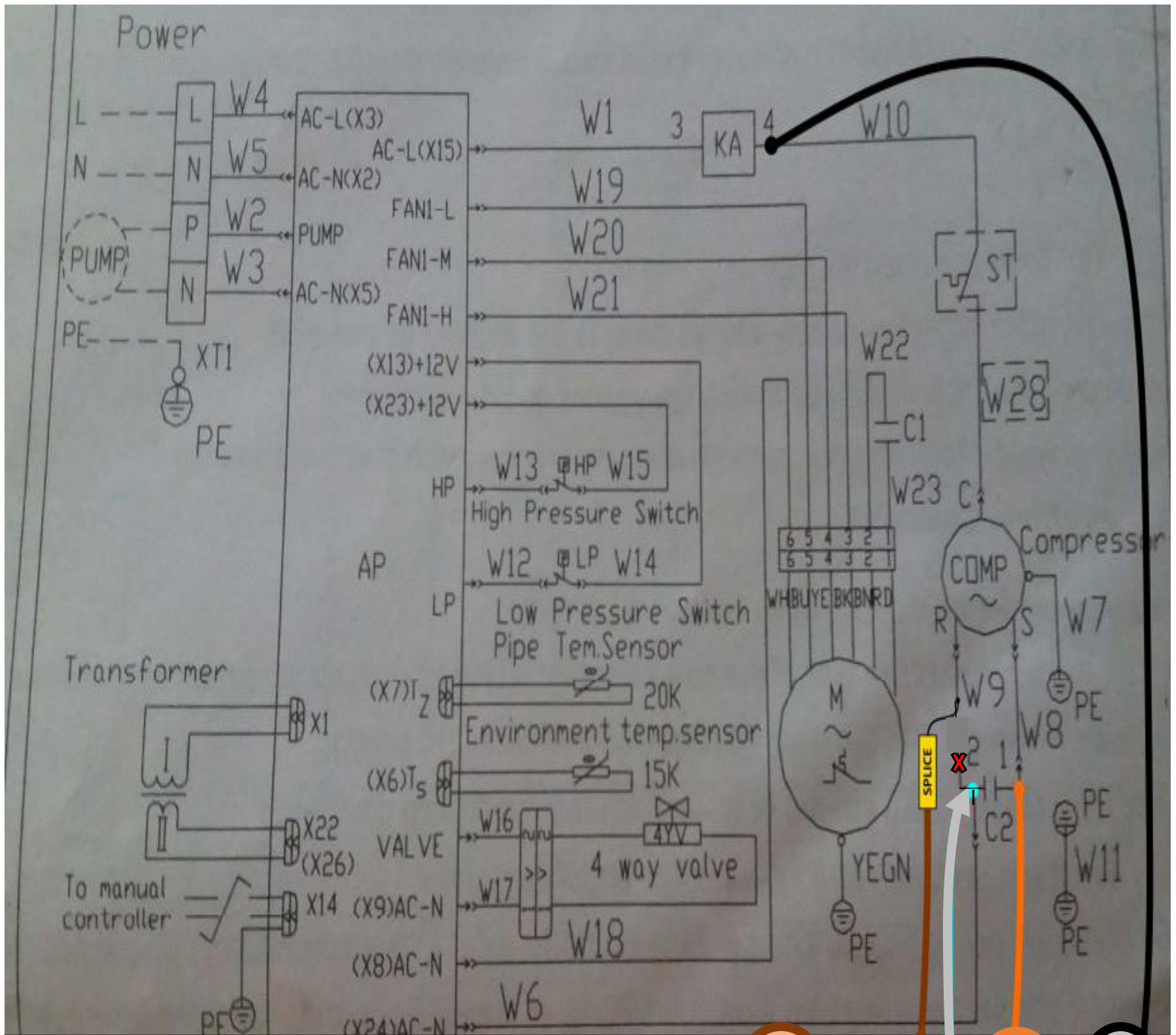


Webasto FCF 12000 Easy Start Wiring Diagram



1-Make a 3-way splice with the Easy Start Black wire & anywhere along the W10 comp C wire

2-Connect the Easy Start Orange wire with the W8 run capacitor S wire

3-Remove the comp W9 R wire from the other side of the run capacitor & splice it into the Easy Start Brown wire

4-Where you just removed the wire in step 3, connect the Easy Start White wire